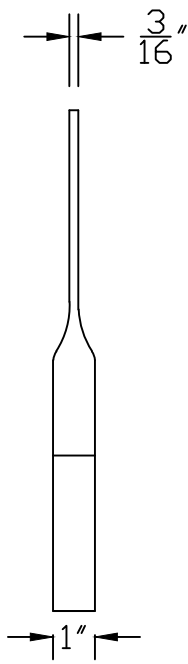




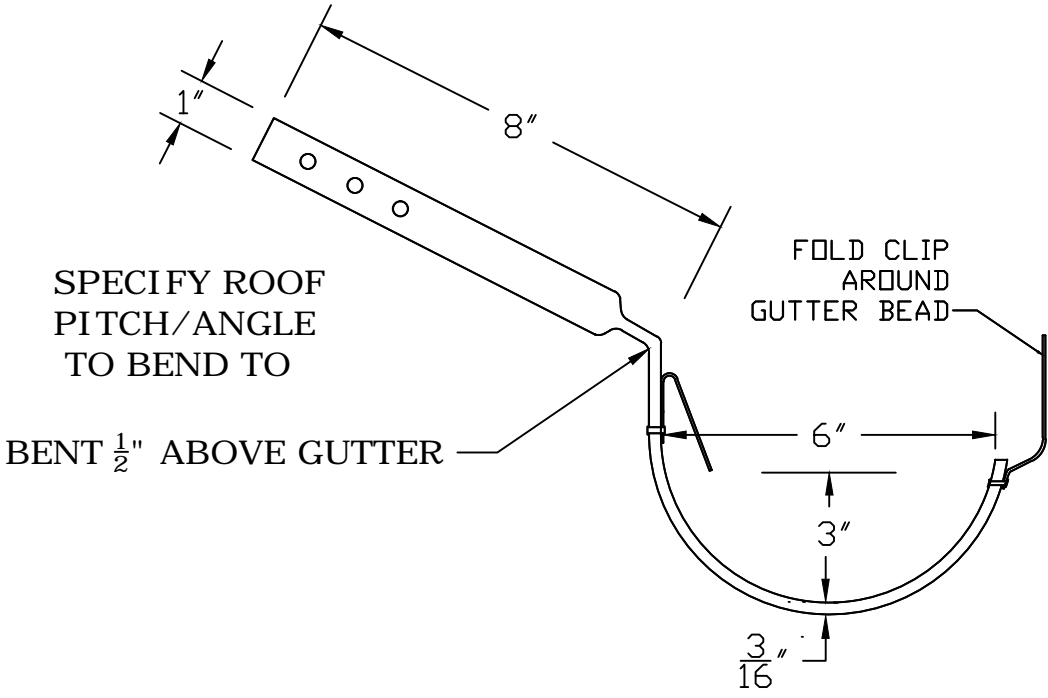
ORLANDO  
 4677 LB Mcleod Rd. Suite B  
 Orlando, FL 32811  
 Ph: 407-649-7767  
 Email: usgutterproducts.com

FORT LAUDERDALE  
 3605 NE 5th Avenue  
 Oakland Park, FL 33334  
 Ph: 954-309-6614

# 6 RAFTER MOUNT 3/16"x1" BAR HANGER



FRONT VIEW



SIDE VIEW

MATERIAL; COPPER, ALUMINUM, STAINLESS STEEL, GALVANIZED

Job Name	
Material	
Color	
Notes	
Approved By	