

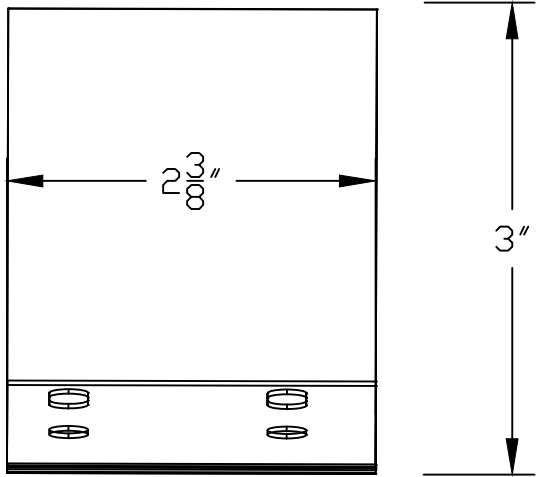


ORLANDO
 4677 LB Mcleod Rd. Suite B
 Orlando, FL 32811
 Ph: 407-649-7767
 Email: usgutterproducts.com

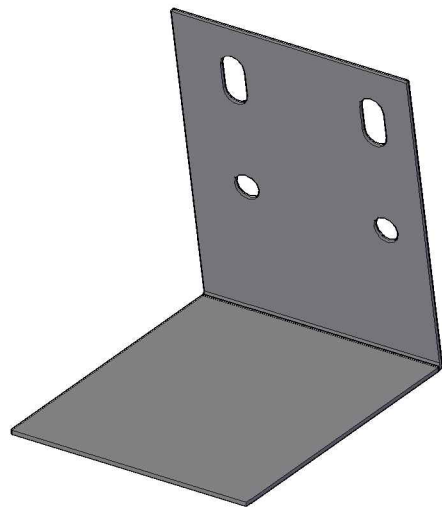
FORT LAUDERDALE
 3605 NE 5th Avenue
 Oakland Park, FL 33334
 Ph: 954-309-6614

L WEDGE

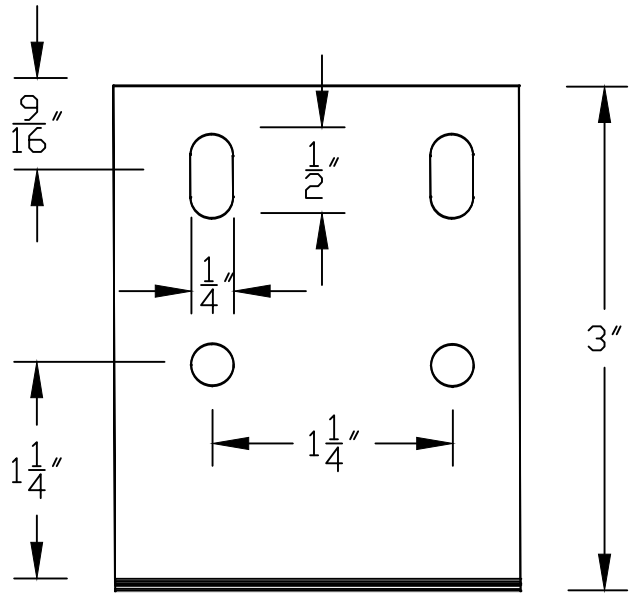
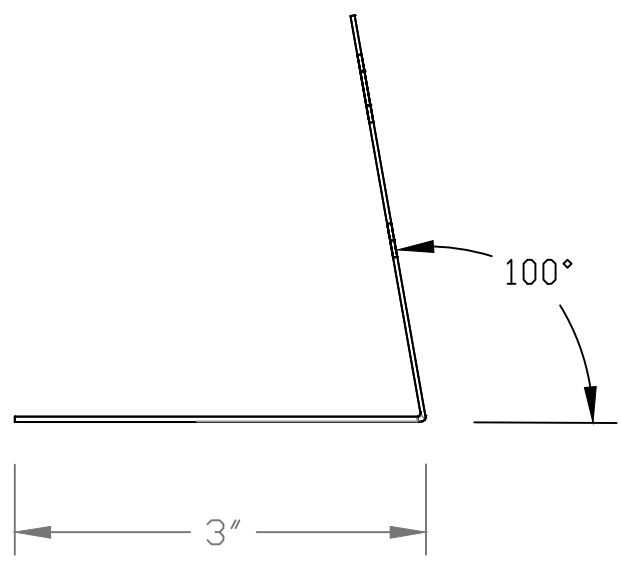
TOP VIEW



ISO VIEW



SIDE VIEW



FRONT VIEW

Job Name	
Material	
Color	
Notes	
Approved By	